

SOSPB-3512-05D     SOSPB-5312-05D  
                      SOSPB-3512-20D     SOSPB-5312-20D  
                      SOSPB-3512-40D     SOSPB-5312-40D  
                      SOSPB-4512-80D     SOSPB-5412-80D

---

● **Shenzhen Sinovo Telecom Co.,Ltd**

● **Features :**

- GiSObit Ethernet
- GiSObit Fiber Channel
- SFP MSA package with Simplex SC connector
- Compliant with IEEE 802.3ah,
- Digital diagnostic monitor interface compatible with SFF-8472
- transmission with 9/125  $\mu\text{m}$  SMF
- Single 3.3V Power Supply and LVTTTL Logic
- Very low EMI and excellent ESD protection
- Operating Case Temperature:  $0^{\circ}\text{C} \sim +70^{\circ}\text{C}$
- RoHS compliant
- Class 1 laser safety certified

● **Absolute Maximum Ratings**

**Table 1- Absolute Maximum Ratings**

Parameter	Symbol	Min.	Typ.	Max.	Unit	Notes
Supply Voltage	Vcc	-0.5	-	+3.6	V	
Storage Temperature	Ts	-40	-	85	$^{\circ}\text{C}$	
Operating Relative Humidity	RH	+5	-	+95	%	

SOSPB-3512-05D    SOSPB-5312-05D  
                           SOSPB-3512-20D                    SOSPB-5312-20D  
                           SOSPB-3512-40D                    SOSPB-5312-40D  
                           SOSPB-4512-80D                    SOSPB-5412-80D

## Recommended Operating Conditions

Table 2- Recommended operating Conditions

Parameter	Symbol	Min.	Typ.	Max.	Units	Notes
Operating Case Temperature	$T_C$	0	-	70	°C	
Power Supply Voltage	$V_{CC}$	3.14	3.3	3.46	V	
Power Supply Current	$I_{CC}$	-	-	300	mA	
Power Dissipation	$P_D$	-	-	1	W	
Data Rate		-	1250	-	Mbps	

## ● Electrical Characteristics

Table 3- Electrical Characteristics

Parameter	Symbol	Min.	Typ.	Max.	Units	Notes	
Differential Data Input Swing	$V_{in\ p-p}$	200	-	2400	mV	1	
Input Differential Impedance	$R_{IN}$	80	100	120	$\Omega$		
Tx_Disable	Laser Disable	$V_{OH}$	2.0	-	$V_{CC}+0.5$	V	
	Normal Operation	$V_{OL}$	GND	-	GND+0.8	V	
TX_Fault	Transmitter Fault	$V_{OH}$	2.0	-	$V_{CC}+0.5$	V	
	Normal Operation	$V_{OL}$	GND	-	GND+0.8	V	
Differential Data Output Swing	$V_{out\ p-p}$	750	900	1050	mV	2	
Rx_LOS	Los Signal	$V_{OH}$	2.0	-	$V_{CC}+0.5$	V	
	Normal Operation	$V_{OL}$	GND	-	GND+0.8	V	

Note:

1. Internally AC coupled, input termination may be required for CML or LVPECL applications.
2. Internally AC coupled, CML differential output stage.

SOSPB-3512-05D    SOSPB-5312-05D  
 SOSPB-3512-20D                    SOSPB-5312-20D  
 SOSPB-3512-40D                    SOSPB-5312-40D  
 SOSPB-4512-80D                    SOSPB-5412-80D

## ● Optical Characteristics

Table 4-Optical Characteristics

Parameter	Symbol	Min.	Typ.	Max.	Unit		Notes
<b>Transmitter</b>							
Average Output Power	P <sub>OUT</sub>	-9		-3	dBm	20km	1
		-5		0		40km	
		0		5		80km	
Mean Wavelength	λ	1290	1310	1330	nm	SOBS-3512-xxx	
		1480	1490	1500		SOBS-4512-xxx	
		1540	1550	1560		SOBS-5312-xxx SOBS-5412-xxx	
Extinction Ratio	ER	9	-	-	dB		
Spectral Width(RMS)	Δλ	-	-	1	nm		
P <sub>out</sub> @TX Disable Asserted	P <sub>OUT</sub>	-	-	-45	dB		
Rise/Fall Time (20%~80%)	T <sub>r</sub> /T <sub>f</sub>			260	ps		
Optical Eye Mask	IEEE 802.3ah Compliant						
<b>Receiver</b>							
Receiver Power	P <sub>in</sub>		-	-23	dBm	20km/40km/80km	2
Centre Wavelength	λ <sub>c</sub>	1290	1310	1330	nm	SOBS-5312-xxx	
		1480	1490	1500		SOBS-5412-xxx	

**SOSPB-3512-05D    SOSPB-5312-05D**  
**SOSPB-3512-20D                    SOSPB-5312-20D**  
**SOSPB-3512-40D                    SOSPB-5312-40D**  
**SOSPB-4512-80D                    SOSPB-5412-80D**

		1530	1550	1570		SOBS-3512-xxx SOBS-4512-xxx	
Receiver Overload	$R_{sens,high}$	-3	-	-	dBm		
Damage Threshold For Receive	$P_{in, damage}$	0					
Receiver Reflectance	$RX_r$	-	-	-12	dB		
LOS De-Assert	$LOS_D$	-	-	-25	dB	20km/40km/80km	
LOS Assert	$LOS_A$	-35	-	-	dB	20km/40km/80km	
LOS Hysteresis		0.5		-	dB		

**Note:**

1. Coupled into 9/125 SMF.
2. Measured with PRBS 2<sup>7</sup>-1 test pattern @1.25Gbps.BER=10E-12

SOSPB-3512-05D    SOSPB-5312-05D  
 SOSPB-3512-20D    SOSPB-5312-20D  
 SOSPB-3512-40D    SOSPB-5312-40D  
 SOSPB-4512-80D    SOSPB-5412-80D

● Recommended Interface Circuit

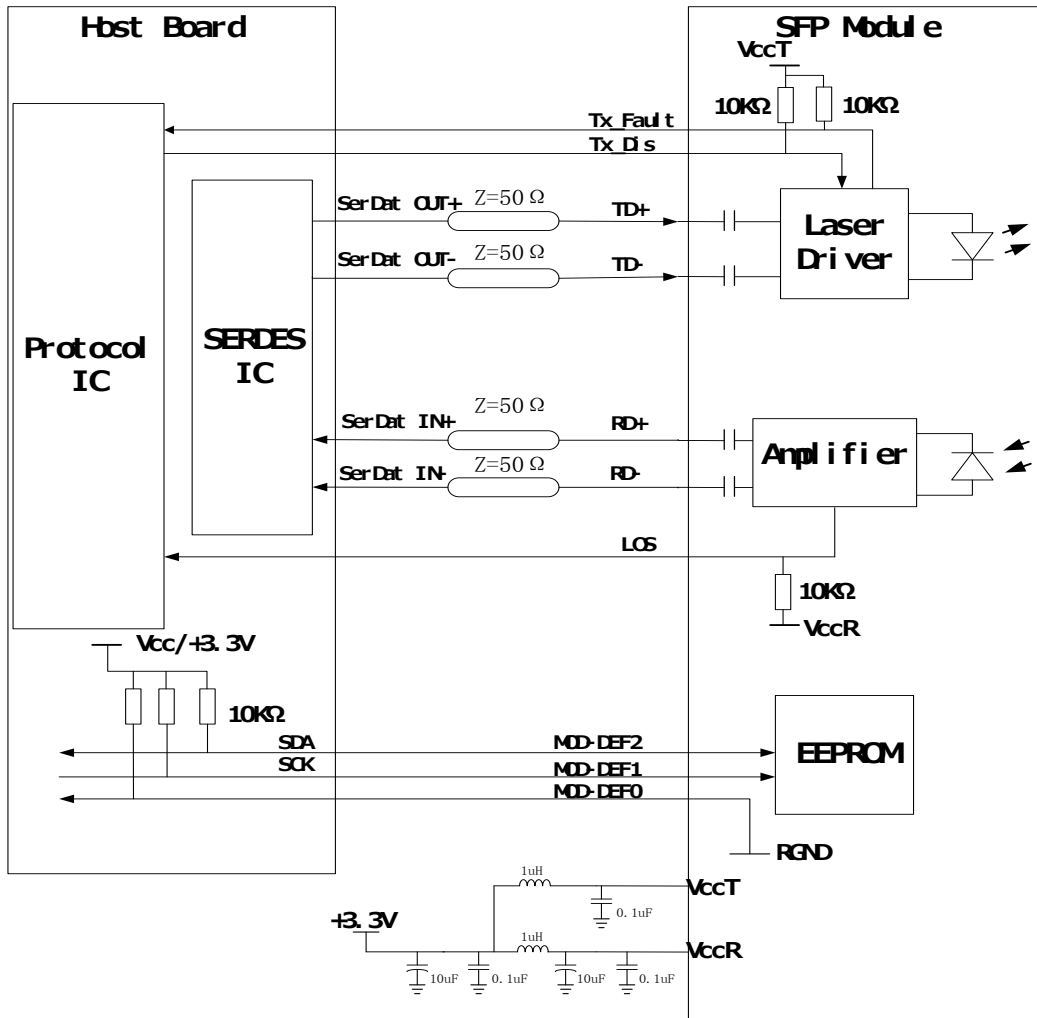


Figure 1, Recommended Interface Circuit

SOSPB-3512-05D    SOSPB-5312-05D  
 SOSPB-3512-20D    SOSPB-5312-20D  
 SOSPB-3512-40D    SOSPB-5312-40D  
 SOSPB-4512-80D    SOSPB-5412-80D

● Pin arrangement

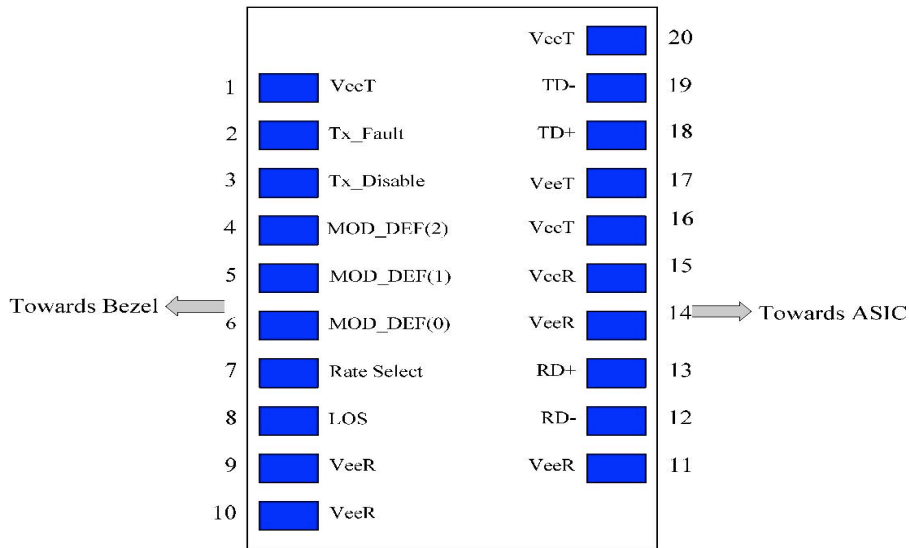


Figure 2, Pin View

Table 5-Pin Function Definitions

Pin	Name	FUNCTION	Plug Seq.	Notes
1	VeeT	Transmitter Ground	1	
2	TX Fault	Transmitter Fault Indication	3	1
3	TX Disable	Transmitter Disable	3	2,
4	MOD-DEF 2	Module Definition 2	3	3
5	MOD-DEF 1	Module Definition 1	3	3
6	MOD-DEF 0	Module Definition 0	3	3
7	Rate Select	Not Connect	3	

SOSPB-3512-05D    SOSPB-5312-05D  
                           SOSPB-3512-20D                    SOSPB-5312-20D  
                           SOSPB-3512-40D                    SOSPB-5312-40D  
                           SOSPB-4512-80D                    SOSPB-5412-80D

8	LOS	Loss of Signal	3	4
9	VeeR	Receiver Ground	1	
10	VeeR	Receiver Ground	1	
11	VeeR	Receiver Ground	1	
12	RD-	Inv. Received Data Out	3	
13	RD+	Received Data Out	3	
14	VeeR	Receiver Ground	1	
15	VccR	Receiver Power	2	3.3V ± 5%
16	VccT	Transmitter Power	2	3.3V ± 5%
17	VeeT	Transmitter Ground	1	
18	TD+	Transmit Data In	3	
19	TD-	Inv. Transmit Data In	3	
20	VeeT	Transmitter Ground	1	

**Note:**

- TX Fault is open collector output which should be pulled up externally with a 4.7K~10KΩ resistor on the host board to voltage between 2.0V and V<sub>CC</sub>+0.3V. Logic 0 indicates normal operation; logic 1 indicates a laser fault of some kind. In the low state, the output will be pulled to less than 0.8V.
- TX Disable input is used to shut down the laser output per the state table below. It is pulled up within the module with a 4.7~ 10K resistor.
 

Low (0- 0.8V):	Transmitter on
Between (0.8V and 2V):	Undefined
High (2.0 – V <sub>CC</sub> T):	Transmitter Disabled
Open:	Transmitter Disabled
- MOD-DEF 0, 1, 2. These are the module definition pins. They should be pulled up with a 4.7~10K resistor on the host board to supply less than V<sub>CC</sub>T+0.3V or V<sub>CC</sub>R+0.3V.
  - MOD-DEF 0 is grounded by the module to indicate that the module is present.
  - MOD-DEF 1 is clock line of two wire serial interface for optional serial ID.
  - MOD-DEF 2 is data line of two wire serial interface for optional serial ID.
- LOS (Loss of signal) is an open collector output, which should be pulled up with a 4.7k~10kΩ resistor on the host board to a voltage between 2.0V and V<sub>CC</sub>+0.3V. Logic 0 indicates normal operation; logic 1 indicates loss of signal. In the low state, the output will be pulled to less than 0.8V.

SOSPB-3512-05D    SOSPB-5312-05D  
 SOSPB-3512-20D    SOSPB-5312-20D  
 SOSPB-3512-40D    SOSPB-5312-40D  
 SOSPB-4512-80D    SOSPB-5412-80D

● **Digital Diagnostic Memory Map**

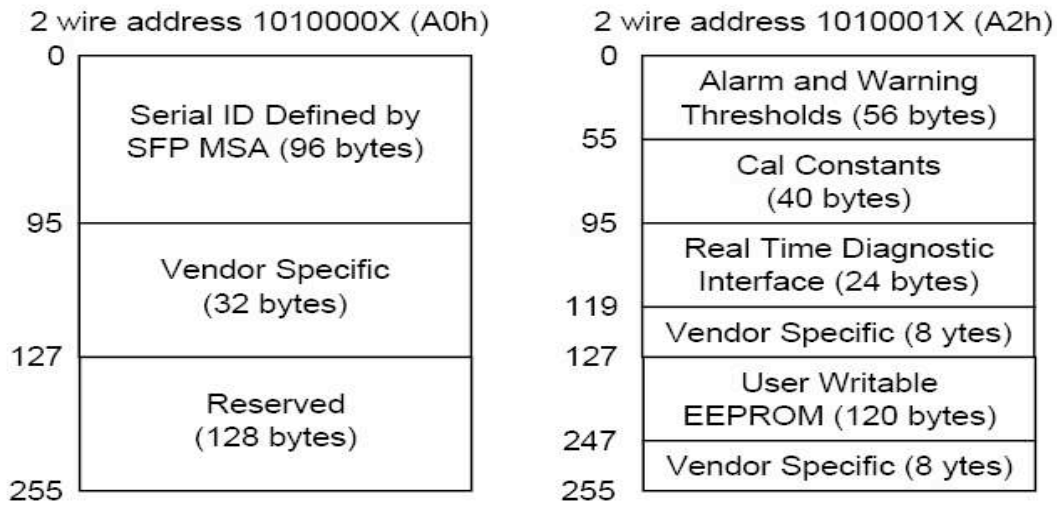


Figure 3, memory map

● **Mechanical Diagram**

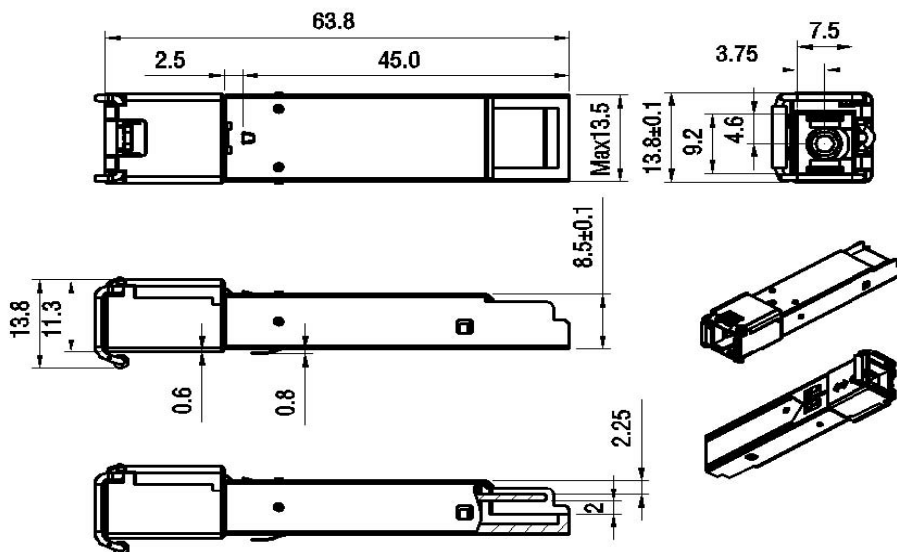


Figure 4, mechanical diagram



SOSPB-3512-05D    SOSPB-5312-05D  
 SOSPB-3512-20D    SOSPB-5312-20D  
 SOSPB-3512-40D    SOSPB-5312-40D  
 SOSPB-4512-80D    SOSPB-5412-80D

● **Order Information**

**Table 6-order information**

Part No.	DDM	Tx Wavelength	Rx Wavelength	Fiber Type	Optical Interface	Distance
SOSPB-3512-20D	YES	1310nm	1550nm	SMF	SC	20km
SOSPB -3512-20	NO					
SOSPB -5312-20D	YES	1550nm	1310nm	SMF	SC	20km
SOSPB -5312-20	NO					
SOSPB -3512-40D	YES	1310nm	1550nm	SMF	SC	40km
SOSPB -3512-40	NO					
SOSPB -5312-40D	YES	1550nm	1310nm	SMF	SC	40km
SOSPB -5312-40	NO					
SOSPB -4512-80D	YES	1490nm	1550nm	SMF	SC	80km
SOSPB -4512-80	NO					
SOSPB -5412-80D	YES	1550nm	1490nm	SMF	SC	80km
SOSPB -5412-80	NO					

● **Notice**

SINOVO reserves the right to make changes to or discontinue any optical link product or service identified in this publication, without notice, in order to improve design and/or performance. Applications that are described herein for any of the optical link products are for illustrative purposes only. SINOVO makes no representation or warranty that such applications will be suitable for the specified use without further testing or modification.



SFP Bi-Di 1.25Gbps Transceiver

<b>SOSPB-3512-05D</b>	<b>SOSPB-5312-05D</b>
<b>SOSPB-3512-20D</b>	<b>SOSPB-5312-20D</b>
<b>SOSPB-3512-40D</b>	<b>SOSPB-5312-40D</b>
<b>SOSPB-4512-80D</b>	<b>SOSPB-5412-80D</b>

---

● **Contact**

Shenzhen Sinovo Telecom Co.,Ltd

Tel:+86(0)0755-32959919 Fax:+86(0)755 32959918

Email: [sales@sinovocorp.com](mailto:sales@sinovocorp.com)

Web:[www.sinovocorp.com](http://www.sinovocorp.com)

Factory: 5/F, University Chuangye Park, Taoyuan Street, Xi Li Town, Nanshan District, Shenzhen, Guangdong